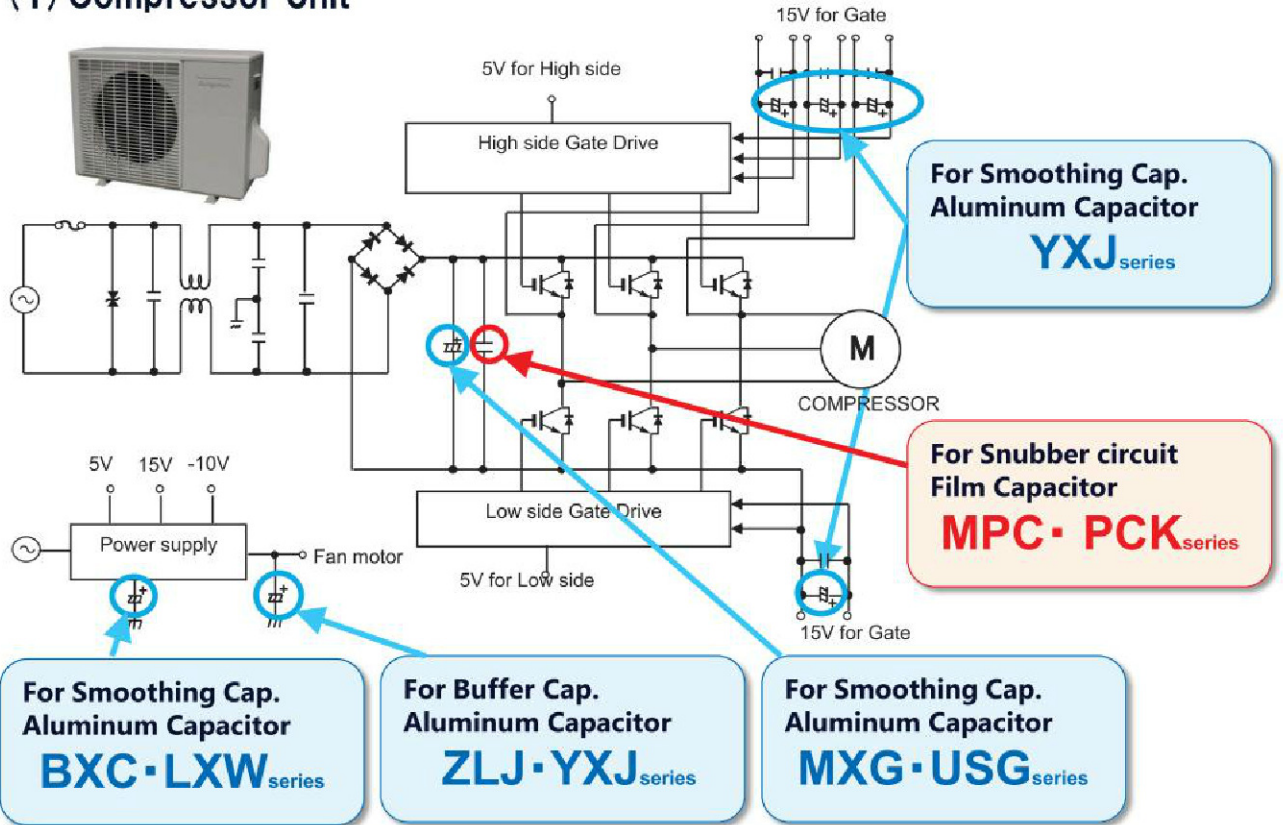


2. Air Conditioner

(1) Compressor Unit



Air Conditioner

Aluminum Capacitor
High Ripple Current , Miniaturized

MXG series

Temp./Life: 105°C / 3,000hours

Volt/Cap. : 10~500Vdc / 39~68,000 μF

USG series

Temp./Life: 85°C / 3,000hours

Volt/Cap. : 10~450Vdc / 68~82,000 μF



Aluminum Capacitor
High Ripple Current , Long Life

ZLJ series

Temp./Life : 105°C / 6,000~10,000hours

Volt/Cap. : 6.3~100Vdc / 8.2~8200 μF

YXJ series

Temp./Life : 105°C / 4,000~10,000hours

Volt/Cap. : 6.3~100Vdc / 1~15,000 μF



Film Capacitor

MPC series

Temp.Range: -40~+85°C

Volt/Cap. : 700~1,600Vdc / 0.1~2.2 μF

PCK series

Temp.Range : -40~+105°C

Volt/Cap. : 450~2,000Vdc / 0.01~33 μF



Aluminum Capacitor
Ultra Miniaturized , Long Life

BXC series

Temp./Life : 105°C / 8,000~12,000hours

Volt/Cap. : 160~500Vdc / 1~220 μF

LXW series

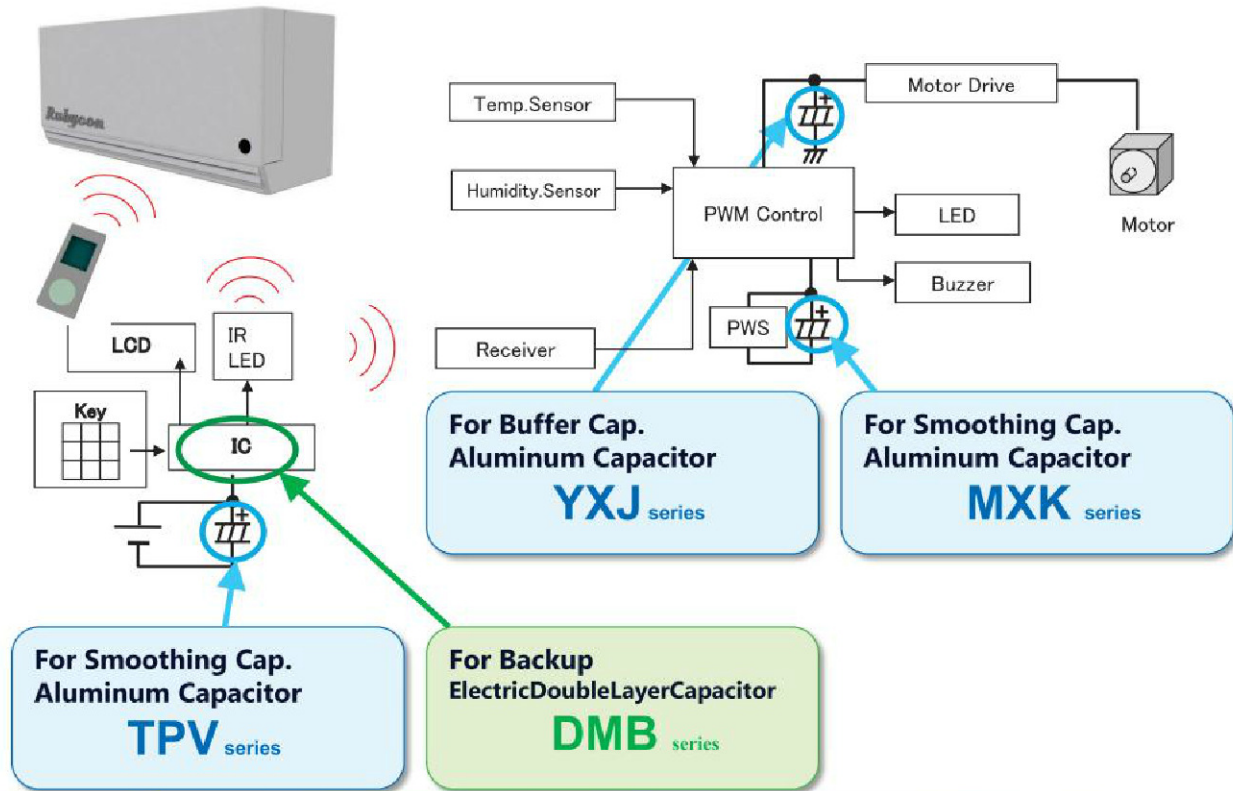
Temp./Life: 105°C / 10,000~12,000hours

Volt/Cap. : 400~500Vdc / 15~220 μF



2. Air Conditioner

(2) Cooling Unit



Air Conditioner

Aluminum Capacitor
105°C 3,000h, Ultra Miniaturized
MXK series

Temp./Life: 105°C / 3,000hours
Volt/Cap. : 400~500Vdc / 68~1,200 μF



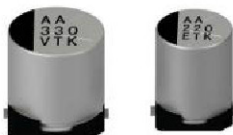
Aluminum Capacitor
Miniaturized, Long Life
YXJ series

Temp./Life : 105°C / 4,000~10,000hours
Volt/Cap. : 6.3~100Vdc / 1~15,000 μF



Aluminum Capacitor
Miniaturized, LowESR
TPV series

Temp./Life: 105°C / 2,000hours
Volt/Cap. : 6.3~35Vdc / 68~2,200 μF



ElectricDoubleLayerCapacitor
DMB series

Temp./Life : - 25 ~ + 70°C / 1,000hours
Volt/Cap. : 2.5Vdc / 2.2~150F

