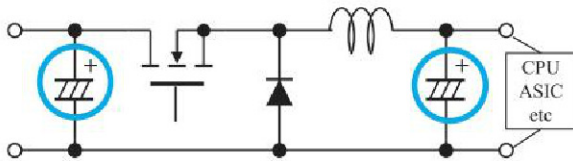
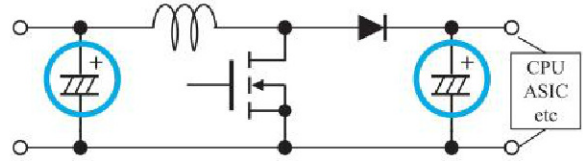


1. DC/DC-converter

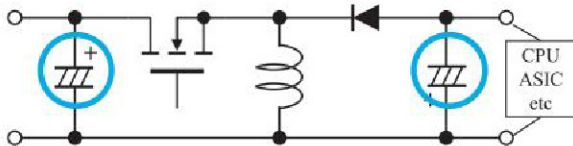
(Buck converter)



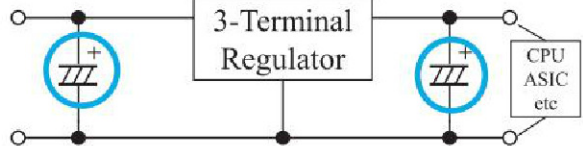
(Boost converter)



(Buck-Boost converter)



(Dropper Circuit)



**For Smoothing Cap.
Aluminum Capacitor**

Polymer Aluminum Cap.

Aluminum Capacitor.(SMD)

AluminumCapacitor(Radial)

PEV·PZE_{series}

TPV·TLV_{series}

ZLG·ZLJ_{series}



DC/DC-converter

Conductive Polymer Aluminum Capacitor
105°C LowESR, HighRippleCurrent

PZE series

Temp./Life: -55~105°C / 10,000hours
Volt/Cap.: 25~63Vdc / 33~330 μF



Aluminum Capacitor
Miniaturized , Low Impedance

TPV series

Temp./Life: 105°C / 2,000hours
Volt/Cap.: 6.3~35Vdc / 68~2,200 μF



TLV series

Temp./Life: 105°C / 2,000~5,000hours
Volt/Cap.: 6.3~63Vdc / 33~10,000 μF

Conductive Polymer Aluminum Capacitor
105°C LowESR, HighRippleCurrent

PEV series

Temp./Life: -55~105°C / 10,000hours
Volt/Cap.: 25~63Vdc / 10~330 μF



Aluminum Capacitor
Miniaturized , Low Impedance

ZLG series

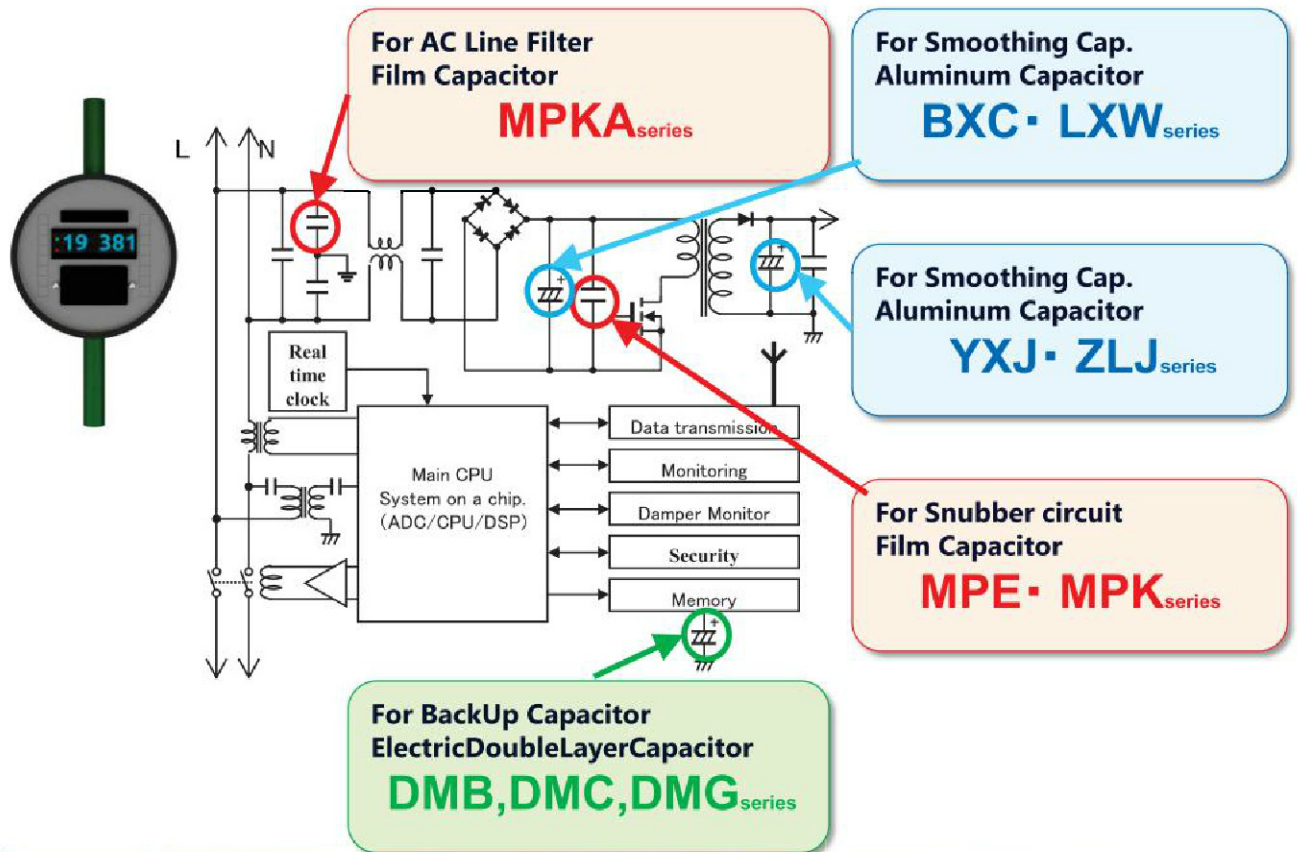
Temp./Life: 105°C / 1,000~5,000hours
Volt/Cap.: 6.3~35Vdc / 4.7~3,900 μF

ZLJ series

Temp./Life: 105°C / 1,000~5,000hours
Volt/Cap.: 6.3~35Vdc / 4.7~3,900 μF



3. Smart Meter



Smart Meter

Film Capacitor

MPKA series Miniaturized, LowNoise

Temp. Range : - 40 ~ + 85°C
 Volt/Cap. : 125, 275Vac / 0.01 ~ 1 μF

MPE series

Temp. Range : - 40 ~ + 105°C
 Volt/Cap. : 800Vdc / 250Vac ~ 1,600Vdc / 700Vac

MPK series Miniaturized

Temp. Range : - 40 ~ + 105°C
 Volt/Cap. : 450 ~ 800Vdc / 0.1 ~ 4.7 μF



Aluminum Capacitor LongLife, Miniaturized

BXC series

Temp./Life : 105°C / 8,000 ~ 12,000 hours
 Volt/Cap. : 160 ~ 500Vdc / 1 ~ 220 μF

LXW series

Temp./Life : 105°C / 10,000 ~ 12,000 hours
 Volt/Cap. : 400 ~ 500Vdc / 15 ~ 220 μF



EDLC

DMB series

Temp./Life : - 25 ~ + 70°C / 1,000 hours
 Volt/Cap. : 2.5Vdc / 2.2 ~ 150F

DMC series

Temp./Life : - 25 ~ + 70°C / 1,000 hours (3Vdc 60°C)
 Volt/Cap. : 2.7Vdc / 2.2 ~ 10F, 3Vdc / 1 ~ 3.3F

DMG series

Temp./Life : - 25 ~ + 70°C / 1,000 hours
 Volt/Cap. : 2.5Vdc / 1 ~ 30F, 2.7Vdc / 1 ~ 10F



Aluminum Capacitor LongLife, Miniaturized, LowESR

YXJ series

Temp./Life : 105°C / 4,000 ~ 10,000 hours
 Volt/Cap. : 6.3 ~ 100Vdc / 1 ~ 15,000 μF

ZLJ series

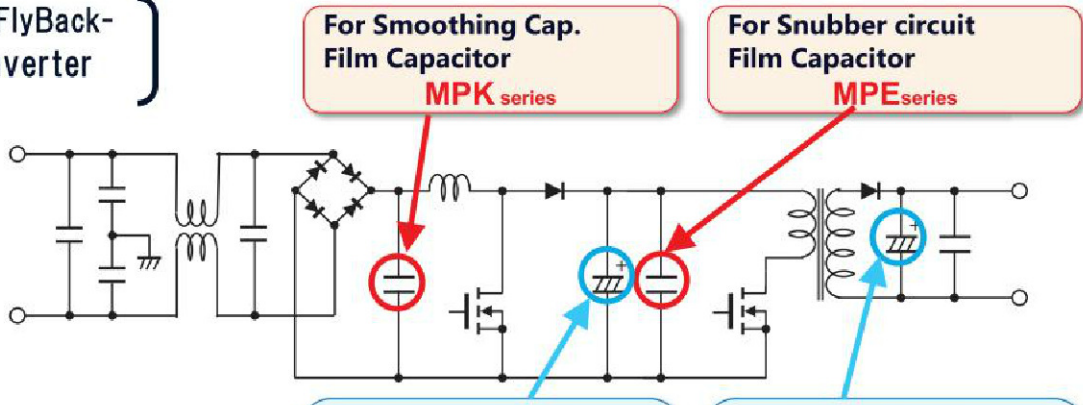
Temp./Life : 105°C / 6,000 ~ 10,000 hours
 Volt/Cap. : 6.3 ~ 100Vdc / 8.2 ~ 8,200 μF



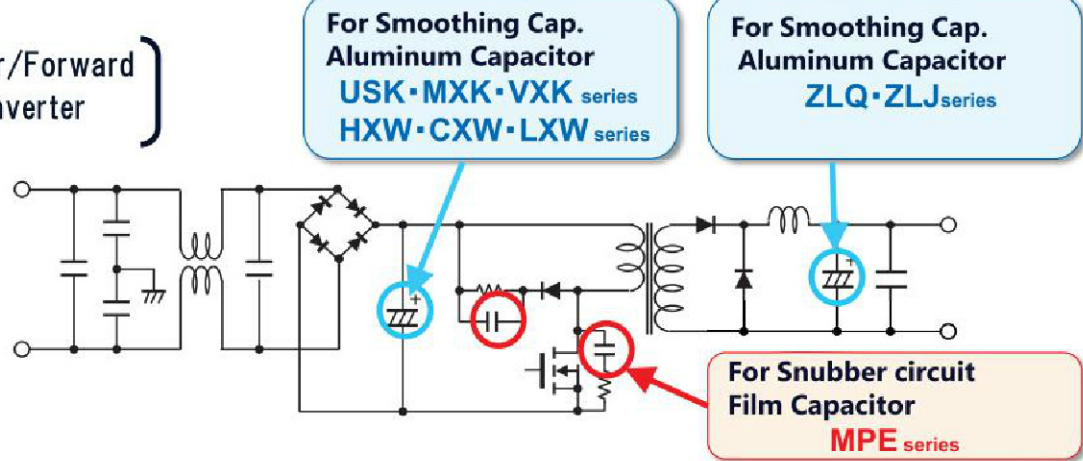
3. Switched-mode power supply



(PFC FlyBack-converter)



(Snubber/Forward-converter)



Switched-mode power supply

Aluminum Capacitor

USK series

Temp./Life: 85°C / 3,000hours
Volt/Cap.: 400~500Vdc / 100~1,200 μF

MXK series

Temp./Life: 105°C / 3,000hours
Volt/Cap.: 400~500Vdc / 68~1,200 μF

VXK series

Temp./Life: 105°C / 5,000hours
Volt/Cap.: 400~500Vdc / 68~1,200 μF



Aluminum Capacitor

HXW series

Temp./Life: 105°C / 2,000~3,000hours
Volt/Cap.: 400~500Vdc / 15~270 μF

CXW series

Temp./Life: 105°C / 5,000hours
Volt/Cap.: 400~450Vdc / 10~220 μF

LXW series

Temp./Life: 105°C / 10,000~12,000hours
Volt/Cap.: 400~500Vdc / 15~220 μF



Film Capacitor

Up the corona discharge characteristics

MPE series

Temp.Range: - 40 ~ + 105°C
VoltRange : 800Vdc/250Vac~1,600Vdc/700Vac

Miniaturized

MPK series

Temp.Range: - 40 ~ + 105°C
Volt/Cap.: 450~800Vdc / 0.1~4.7 μF



Aluminum Capacitor

LongLife , Miniaturized , Low Impedance

ZLJ series

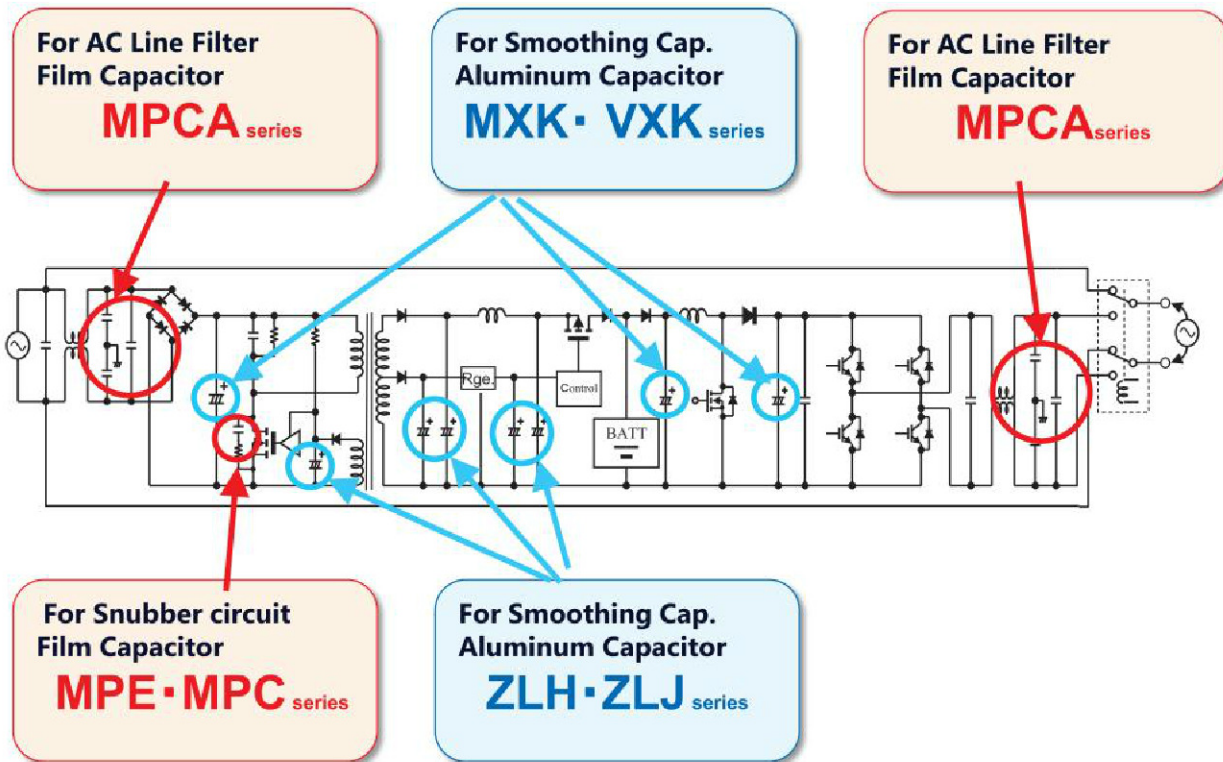
Temp./Life: 105°C / 6,000~10,000hours
Volt/Cap. : 6.3~100Vdc / 8.2~8,200 μF

ZLQ series

Temp./Life: 105°C / 3,000~6,000hours
Volt/Cap. : 6.3~35Vdc / 56~12,000 μF



4. Uninterruptible Power Supply



Uninterruptible Power Supply

Aluminum Capacitor
Miniaturized, HighRippleCurrent

MXK series

Temp./Life: 105°C / 3,000hours
Volt/Cap. : 400~500Vdc / 68~1,200 μF

VXK series

Temp./Life: 105°C / 5,000hours
Volt/Cap. : 400~500Vdc / 68~1,200 μF



Aluminum Capacitor
LongLife, Miniaturized, Low Impedance

ZLH series

Temp./Life: 105°C / 6,000~10,000hours
Volt/Cap. : 6.3~100Vdc / 8.2~8,200 μF

ZLJ series

Temp./Life: 105°C / 6,000~10,000hours
Volt/Cap. : 6.3~100Vdc / 8.2~8,200 μF



Film Capacitor
Miniaturized, LowNoise

MPCA series

Temp.Range : -25 ~ + 70°C
Volt/Cap. : 220~500Vac / 1~100 μF



Film Capacitor
Up the corona discharge characteristics

MPE series

Temp.Range. : - 40 ~ + 105°C
VoltRange : 800Vdc/250Vac~1,600Vdc/700Vac
Cap.Range : 0.001~0.56 μF

LowESR, HighRippleCurrent

MPC series

Temp.Range. : - 40 ~ + 85°C
VoltRange : 700 ~ 1,600Vdc
Cap.Range : 0.1~2.2 μF

