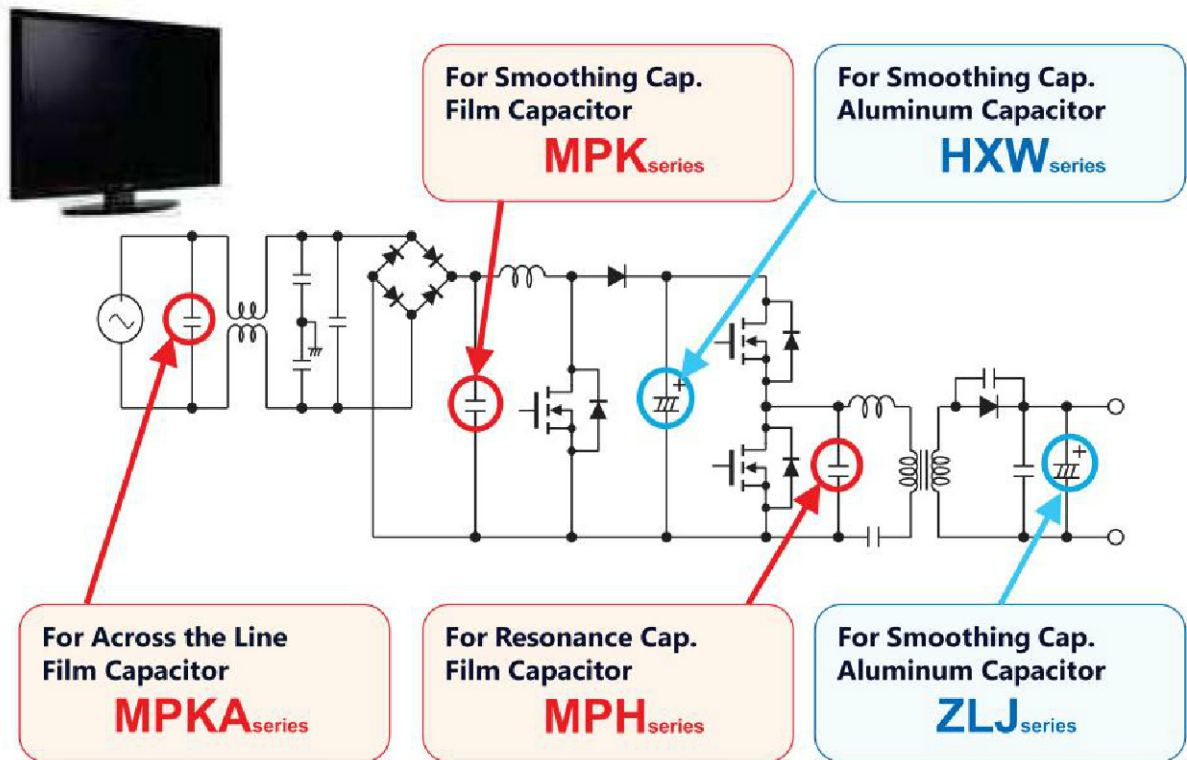


5. Flat Panel Display TV



(1) Power Supply Unit



Flat Panel Display

Film Capacitor
For Across the Line
MPKA series

Temp.Range: - 40 ~ + 85°C
Volt/Cap : 125, 275Vac/0.01~1.0 μF

Miniaturized, LowNoise

MPK series

Temp.Range: - 40 ~ + 105°C (+85°C)
Volt/Cap : 450~800Vdc/0.1~4.7 μF



Film Capacitor
Miniaturized, High Ripple Current
MPH series

Temp.Range: - 40 ~ + 105°C

Volt Range: 100~800Vdc

Cap.Range: 0.047~22 μF



Aluminum Capacitor
Ultra Miniaturized
HXW series

Temp./Life: 105°C/2,000~3,000hours
Volt/Cap : 400~450Vdc/15~270 μF



Aluminum Capacitor
High Ripple Current , Long Life
ZLJ series

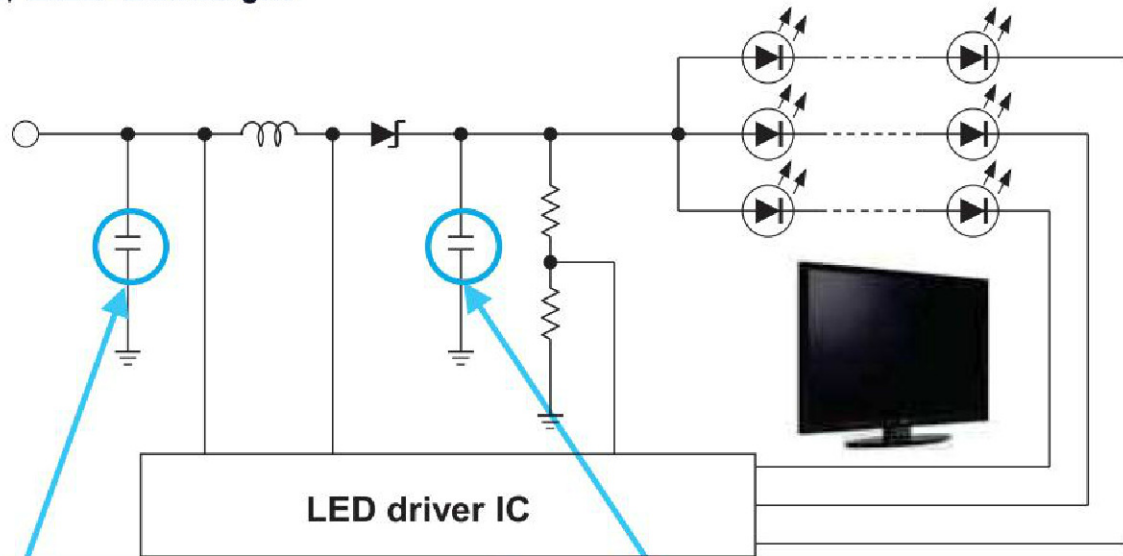
Temp./Life : 105°C/6,000~10,000hours
Volt/Cap. : 6.3~100Vdc/8.2~8200 μF



5. Flat Panel Display TV



(2) LED BackLight



For Smoothing Cap.

- Aluminum Capacitor **ZLJ, TXW series**
- Polymer Aluminum Cap **PZE, PEV series**
- Polymer Multilayer Cap **MU series**

For Smoothing Cap.

- Aluminum Capacitor **ZLJ, TXW series**
- Polymer Aluminum Cap **PZE, PEV series**
- Polymer Multilayer Cap **MU series**
- film capacitor **MPK series**

Flat Panel Display

Aluminum Capacitor
High Ripple Current, Long Life, Miniaturized
ZLJ series
 Temp./Life: 105°C / 6,000 ~ 10,000 hours
 Volt/Cap : 6.3 ~ 100Vdc / 8.2 ~ 8,200 μF
TXW series
 Temp./Life: 105°C / 7,000 ~ 12,000 hours
 Volt/Cap : 35 ~ 450Vdc / 12 ~ 1,800 μF

Polymer Multi Layer Capacitor
High Temp., Low Noise, Miniaturized
MU series (PMLCAP)
 Temp. Range: -55 ~ 125°C
 Volt/Cap : 16 ~ 100Vdc / 0.0001 ~ 22 μF

Film Capacitor
Miniaturized, Low Noise
MPK series
 Temp. Range: -40 ~ +105°C (+85°C)
 Volt Range : 450 ~ 800Vdc
 Cap. Range : 0.1 ~ 4.7 μF

Conductive Polymer Aluminum Capacitor
105°C Low ESR, High Ripple Current
PZE series
 Temp./Life: -55 ~ 105°C / 10,000 hours
 Volt/Cap : 25 ~ 63Vdc / 33 ~ 330 μF
105°C Low ESR, High Ripple Current
PEV series
 Temp./Life: -55 ~ 105°C / 10,000 hours
 Volt/Cap : 25 ~ 63Vdc / 10 ~ 330 μF